

ROBOT Compact HUMARD® adapted to fit CNC machine type CHIRON FZ 08K S Magnum

Compact – Autonomous



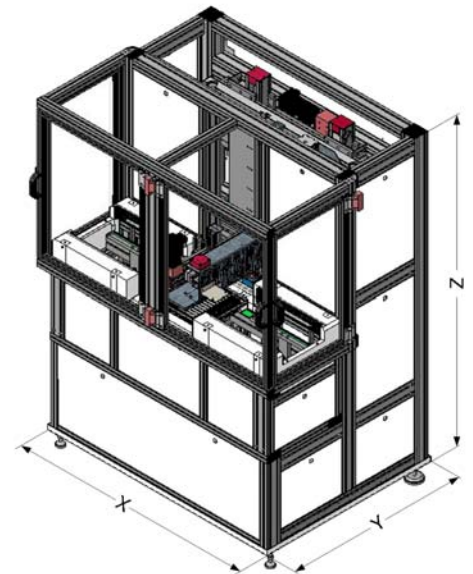
Dimensions

X: 1'270 mm

Y: 1'010 mm

Z: 1'900 mm

Surface area : 1.28 m²



Benefits of Compact HUMARD® ROBOT

- Low floor space
- Can be adapted to fit all CNC machines
- 5 axes
- Rapid workpiece series changeover
- Continuous operation and productivity gains
- Telemaintenance commanded via modem
- Ergonomic design meets EC safety standards
- LOGIC'HUMARD® programming with touch screen

The team of specialists at HUMARD® are at your service.
Don't hesitate to get in touch with them !

© HUMARD Automation SA / Subject to technical modifications

CE

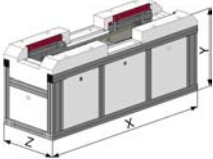
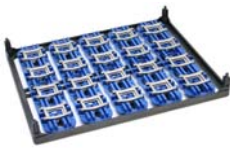


HUMARD Automation SA

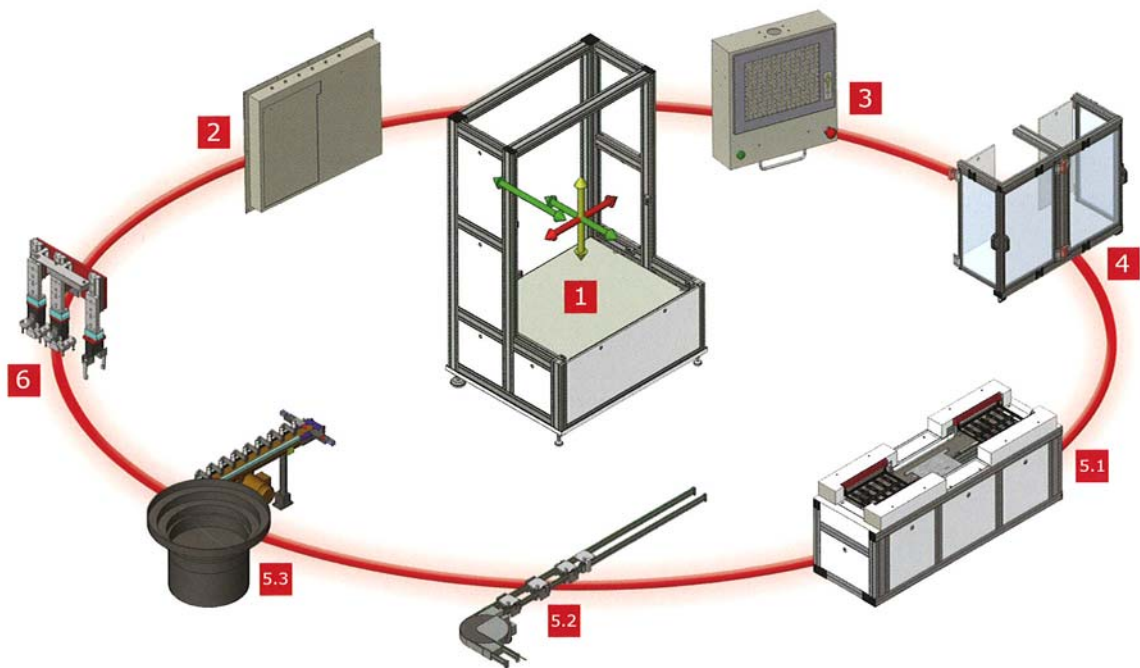
6, rue St-Randoald
CH-2800 Delémont
Switzerland
Tél. +41 32 421 40 90
Fax +41 32 423 29 26
www.humard.com
info@humard.com

HUMARD® Palletizations and pallets

Description of palletization model adapted to fit the Robot Compact as shown on rear

HUMARD® palletization		HUMARD® pallet	
	Dimensions : X = 1'250 mm Y = 505 mm Z = 420 mm		Insert precision Protective material for workpieces Withstands repeated washing Can be adapted to suit different types of workpieces
Format of pallet : Autonomy : Load / elevator : Reference :	280 x 220 mm 1 – 50 pallets 125 kg 025-700	Dimensions : Pallet : Inserts : Capacity : Workpieces : Reference :	280 x 220 mm Plastic Molded plastic 20 workpieces Casings 002-182.01

Modularity of HUMARD® compact ROBOTS



- 1** HUMARD® Compact Robot
- 2** Access hatch adapted to fit all CNC machine types
- 3** LOGIC'HUMARD® programming system
- 4** Safety protective screen
- 5** Types of processes
 - 5.1** CN HUMARD® Palletization
 - 5.2** Flexible conveyor
 - 5.3** Vibrating bowl and line
- 6** Grippers

© HUMARD Automation SA / Subject to technical modifications

CE



HUMARD Automation SA

6, rue St-Randoald
 CH-2800 Delémont
 Switzerland
 Tél. +41 32 421 40 90
 Fax +41 32 423 29 26
 www.humard.com
 info@humard.com